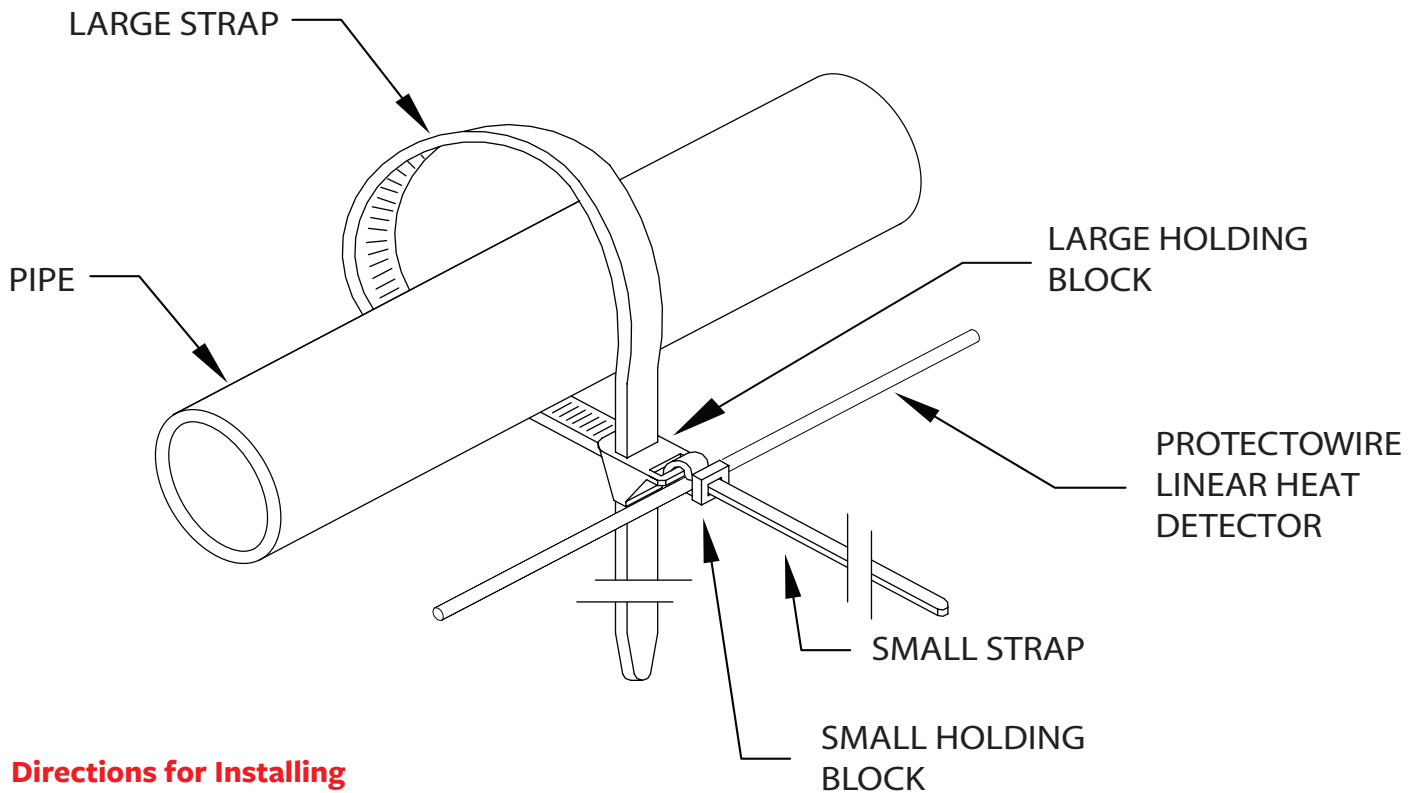


Protectowire Linear Heat Installation Accessories

Part#: PM-3C

Pipe Mounting Strap.



Directions for Installing

1. Wrap the large strap around the pipe with serrations in contact with the pipe surface.
2. Slide pointed end of the strap through the inside slot in the holding block closest to the pipe surface and pull tight.
3. Insert pointed end of the small strap through the vacant slot in the large strap holding block and form a loop around the detector making sure the serrated side of the small strap is against the detector.
4. Slide pointed end of the strap into the small strap holding block and secure the detector without damaging the detector's outer jacket.
5. If desired, cut or remove excess strap ends.

Refer to Datasheet DS-8920C for information on other PM-3 series fasteners.

Information

- Double loop pipe strap compatible with all Protectowire Linear Heat Detectors.
- Material: Nylon 6/6
- Temperature: -40°F (-40°C) to 185°F (85°C)
- Resistance: UV stabilized
- Maximum Recommended Spacing: 5 ft. (1.5M)
- Part Number: PM-3C - pipesize 4" (101mm) to 6" (152mm)