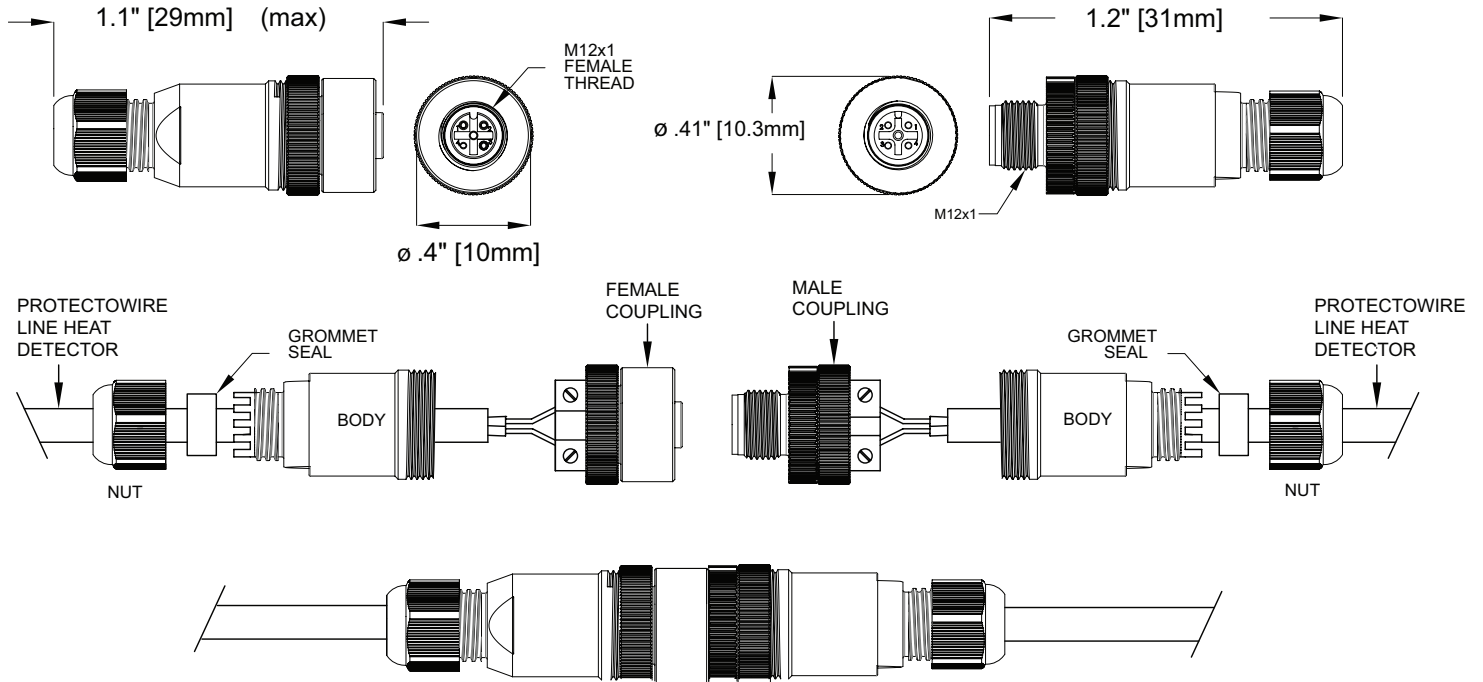


Protectowire Linear Heat Installation Accessories

PWSK-4 Field Serviceable Connector



NOTE:
RESPECTIVE (MATCHING) PINS MUST BE
USED TO CORRECTLY COMPLETE CIRCUIT

Information

Specifications:

- Wire Range: 18-24AWG (1.0-0.25mm)
- Cable Range: 0.12-0.26 (3.0-6.5mm)
- Mode of Connection: Screw Terminals
- Volts: 250V
- Amps: 4A
- Seal: IP67
- For use with PHSC and PLR type detectors

- Temperature Range:
 - Static: -40°F - 220°F (-40°C - 105°C)
 - Dynamic: -4°F - 220°F (-20°C - 105°C)

Materials:

- Housing & Nut: Polyamide
- Contact: Gold Plated Cu Alloy
- Coupling: Nickel Plated Brass
- Grommet: NBR
- O-Ring: FPM