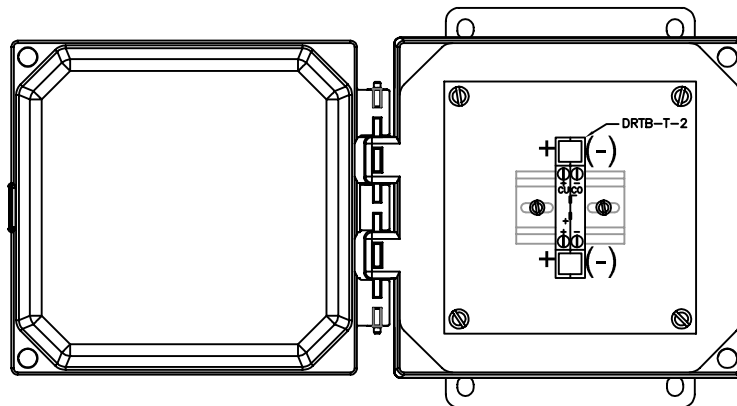
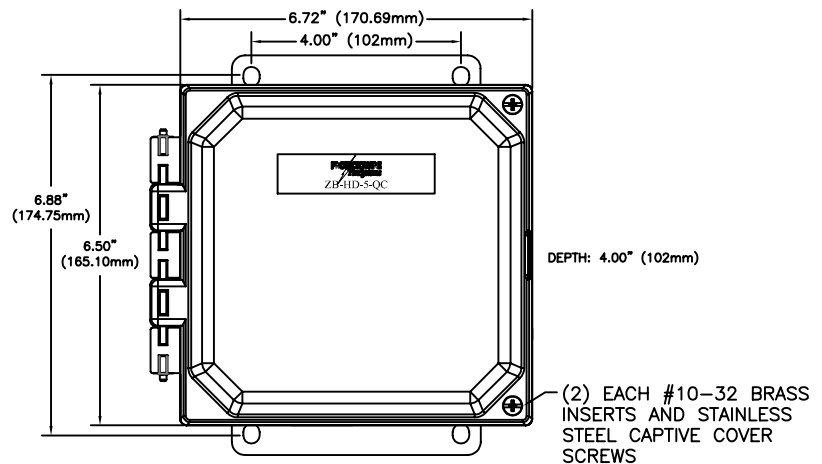




ZB-HD-5-QC
 CTI LINEAR HEAT DETECTOR
 HEAVY DUTY
 ZONE BOX
 DATA SHEET 9265
 4-2-2015

The illustration below shows the typical field wiring connections for Protectowire Linear Heat Detector type CTI. Due to the Thermocouple characterizing of the detector, electrical polarity must be properly observed. Also, the DRTB-T-2 connector block must be employed in order to maintain the measurement accuracy of the thermocouple component of the detector. Thermocouple type T extension cable must be employed as interposing cable on the detection circuit.

Note: DRTB-T-2 terminal markings:
 Copper - CU = (+)
 Constantan - CO = (-)



THE ABOVE ENCLOSURE IS DESIGNED FOR USE IN HIGHLY CORROSIVE ATMOSPHERES. THE ENCLOSURE IS MOLDED FROM A REINFORCED POLYESTER MATERIAL WHICH HAS EXCELLENT CHEMICAL RESISTANCE.
 WEIGHT: 2.0 LBS.

MOUNTING PANEL DETAIL
 4.81" x 4.81"
 (122.24mm) x (122.24mm)
 MOUNTED INSIDE OF CABINET

SR-502 Series Strain Relief Connectors sold separately

INSTALL IN ACCESSIBLE LOCATION PREFERABLY NOT MORE THAN SIX FEET ABOVE THE FLOOR.

*ELR ONLY INSTALL AT LAST BOX (END OF LINE) FOR CLASS B DETECTION WIRING FOR CLASS A, RETURN TO CTM MODULE USING TYPE "T" THERMOCOUPLE EXTENSION CABLE IF NECESSARY.